

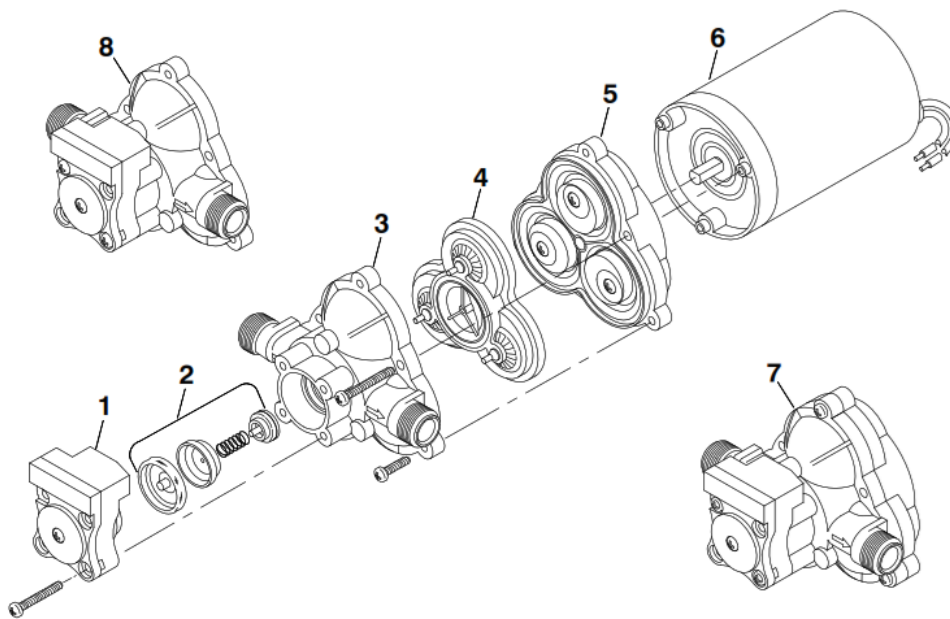


| Model        | PSI | BAR | L/min | Amps | Max LPM |
|--------------|-----|-----|-------|------|---------|
| 2088-313-145 | 10  | 0.7 | 11.7  | 6.4  | 13.6    |
|              | 20  | 1.4 | 10.7  | 7.6  |         |
|              | 30  | 2.1 | 9.4   | 8.7  |         |
|              | 40  | 2.8 | 8.1   | 9.5  |         |

# SHURflo

## KITS FOR MODEL 2088-313-145

Issued:MR. 1-24-00



- |                              |           |
|------------------------------|-----------|
| 1) Switch Assembly           | 94-230-55 |
| 2) Check Valve Assembly      | 94-237-05 |
| 3) Upper Housing             | 94-231-30 |
| 4) Valve Assembly            | 94-232-05 |
| 5) Diaphragm/Lower Housing   | 94-238-03 |
| 6) Motor                     | 11-185-06 |
| 7) Complete Pump Head        | N/A       |
| 8) Upper Housing/Switch Assy | N/A       |