

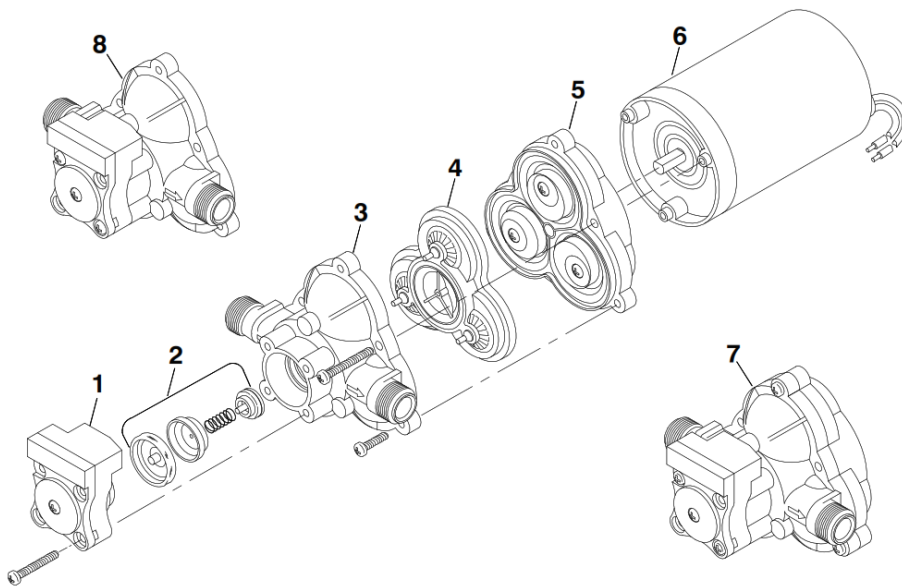


| Model | PSI | BAR | L/min | Amps | Max LPM |
|--------------|-----|-----|-------|------|---------|
| 2088-343-135 | 10 | 0.7 | 10.6 | 5.3 | 11.4 |
| | 20 | 1.4 | 10.2 | 5.5 | |
| | 30 | 2.1 | 8.9 | 6.7 | |
| | 40 | 2.8 | 7.8 | 7.7 | |

SHURflo

KITS FOR MODEL 2088-313-145

Issued:MR. 1-24-00



- | | |
|------------------------------|-----------|
| 1) Switch Assembly | 94-230-55 |
| 2) Check Valve Assembly | 94-237-05 |
| 3) Upper Housing | 94-231-30 |
| 4) Valve Assembly | 94-232-05 |
| 5) Diaphragm/Lower Housing | 94-238-03 |
| 6) Motor | 11-185-06 |
| 7) Complete Pump Head | N/A |
| 8) Upper Housing/Switch Assy | N/A |